

EXACT8, 6XM8, 4 POLE BASIC HOUSING

Without homerun-cable

6-way, 4-pole

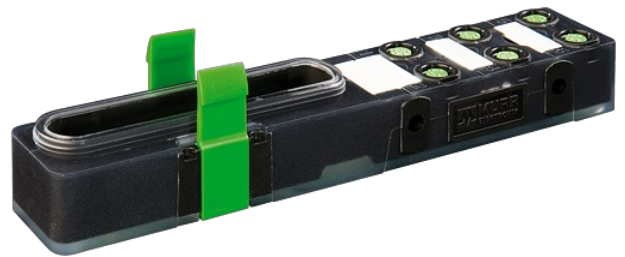
Inline face or side mounting

Plastic housings with good resistance against chemicals and oils.

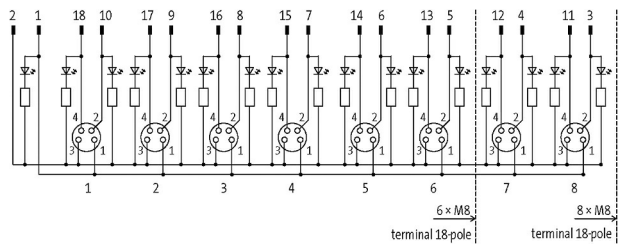
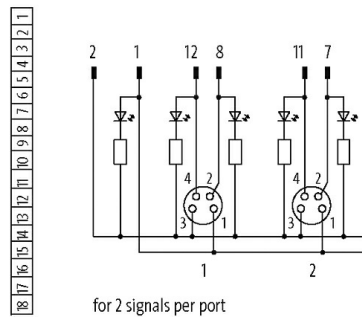
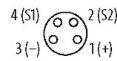
The resistance to aggressive media should be individually tested for your application. Further details on request.

[Link to Product](#)

Illustration

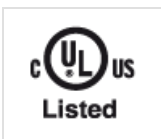


M8-Females 4-pole



Product may differ from Image

Approvals



Contact Layout

PIN 1 (+)

PIN 2	(NC)/(S2)
PIN 3	(-)
PIN 4	(NO)/(S1)
LED display	LED (green): Power / LED (yellow): (S1) / LED (white): Signal (S2)

General data

Temperature range	-20...+70 °C, depending on cable quality
-------------------	--

Technical Data

Operating voltage	24 V DC
Operating current per contact	max. 2 A
Total current	max. 8 A
Protection	IP65/IP67

Commercial data

country of origin	DE
customs tariff number	85369010
EAN	4048879055000
eClass	27143423
Packaging unit	1